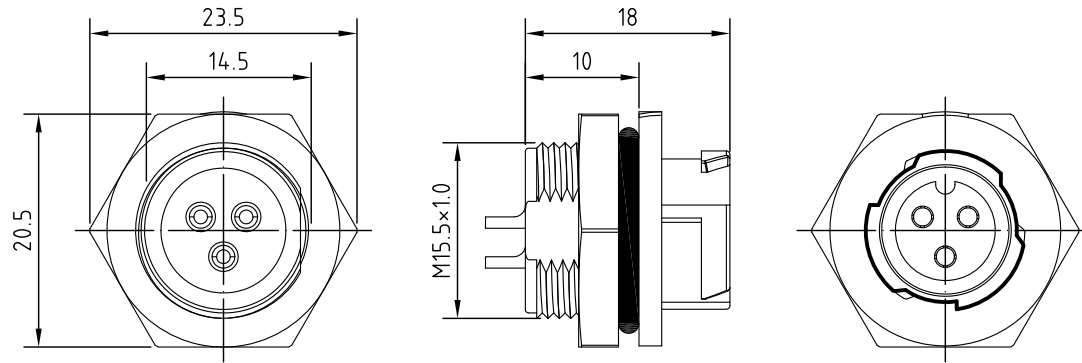


Recommended Panel cut-out



REV.	Description	Date
1	panel cut-out dimension revise	2020/9/16

Specification of connector

Locking system : Quick Push Lock
 Termination : solder
 Shell protection : IP68
 Contact resistance : <10mΩ
 Insulation resistance : >10MΩ

RoHS
 TOLERANCE X±0.5 .X±0.3

CONTACT ARRANGEMENT FRONT VIEW (FEMALE)	2P	3P	4P	5P	6P	7P	8P
Rated voltage	250V		250V		60V		
Rated current	10A		5A		5A		

4	Nut	PA
3	O ring	Rubber
2	Pin	Brass/Gold plated
1	Body	PA
Item	Description	Material&Plating



Unicable Co., Ltd. 國陽電業有限公司
 5F., No. 111-33, Sec. 4, San Ho Road., San Chung Dist., New Taipei City, Taiwan
<http://www.unicable.com.tw> Tel:+886-2-2286-2122 Fax:+886-2-2286-1010

DATE	2020/9/16	PART NO.	UT-SD363M2-XP
DWN	GINA	REV.	1
CHK			
UNIT	MM		

ITEM	Type J(J1): female conn. 2-8P
------	-------------------------------